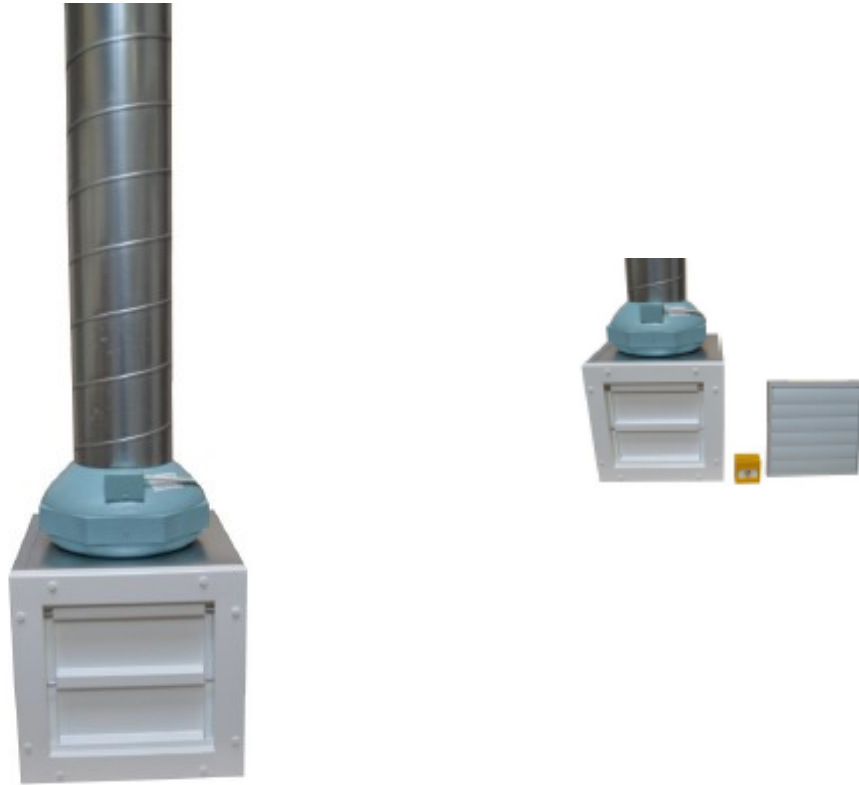


Concept with Gas Extract System

Clean Chemical Agent Gas Extract System



The new PVX200 and PVX315 Clean Chemical Agent Gas Extract unit provides a low cost solution to providing Gas Extract for fire fighting gaseous agents. It is simple to install, easy to wire, interface and control from the fire suppression control panel and is a flexible design for many applications.

It is designed to be floor mounted, either on the floor or within a floor void. It can be mounted with the duct rising vertically or horizontally and the duct can be cut to the required length for the application.

The PVX unit is supplied in two sizes the smallest is the PVX200 and is capable of extracting 2000m³ per hour and the largest is the PVX315 is capable of 3000m³ per hour. If larger volumes are required multiple units will be required.

NOTE

The fitting of Gas Extract Systems is only a recommendation although where it is not used an alternative means of venting should be identified to comply with BS15004-1:2008.

As a standard all our Extract Systems are designed to 4 exchanges of air per hour.

Concept with Gas Extract System

Clean Chemical Agent Gas Extract System

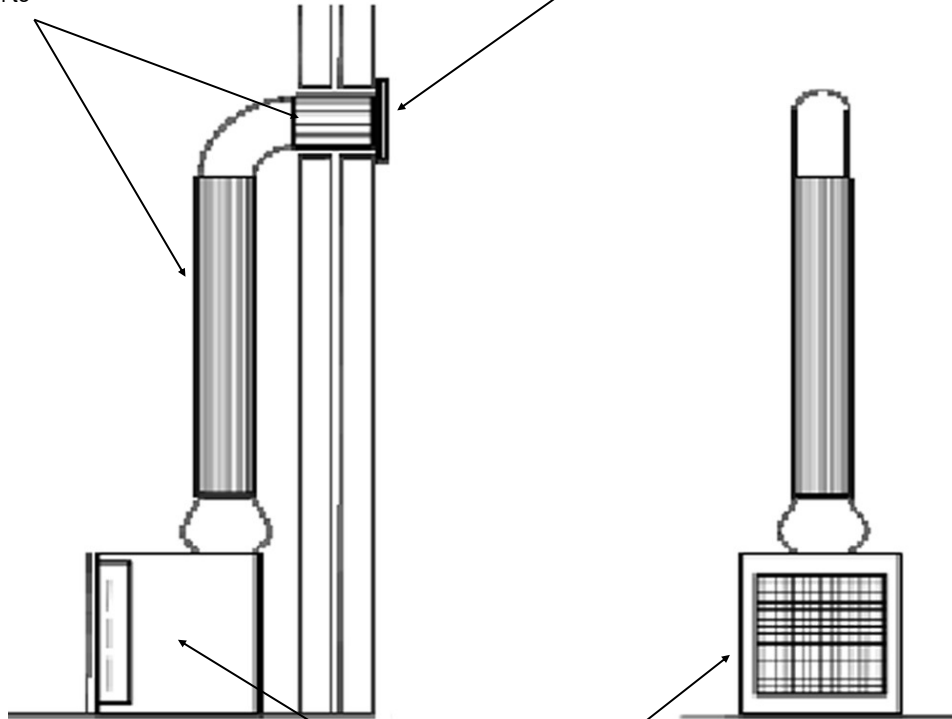


Pipework

Extraction pipework from fan to external wall from 150mm to 200mm diameter.

External Louver

Louver fitted externally for weatherproofing.



Extraction Fan

Floor mounted with grill, 240v ac supply required and interfaced into Fire Suppression control panel.

The units are supplied in a kit form and included the following:-

- 1 x Floor Box with Integral Fan Unit (430mm wide x 430mm deep x 470mm high)
- 1 x Pressure Vent
- 1 x 90 deg Elbow
- 1 x External Louver
- 1 x KAC Call Point Keyswitch
- 1 x Fitting Kit and Fitting Instruction

Model	Extraction Capability (m ³ /15 mins)	Duct Size (mm Dia)
PVX200	500	150
PVX315	750	200

Concept Fire Suppression Ltd
Unit 4, The Stables, Newby Hall,
Ripon, North Yorkshire,
UK, HG4 5AE.
Tel: +44 (0)1423 900883
Fax: +44 (0)1423 301898

Concept Fire Suppression Ltd
Hudson House, 8 Albany Street,
Edinburgh, UK, EH1 3QB.
Tel: +44 (0)131 516 7590
Fax: +44 (0)131 473 2309

Concept Fire Suppression Ltd
Albany House, 14 Shute End
Wokingham, Berkshire,
UK, RG40 1BJ.
Tel: +44 (0)203 411 3212
Fax: +44 (0)845 250 8101

Web: www.conceptfire-uk.com
E-mail: info@conceptfire-uk.com